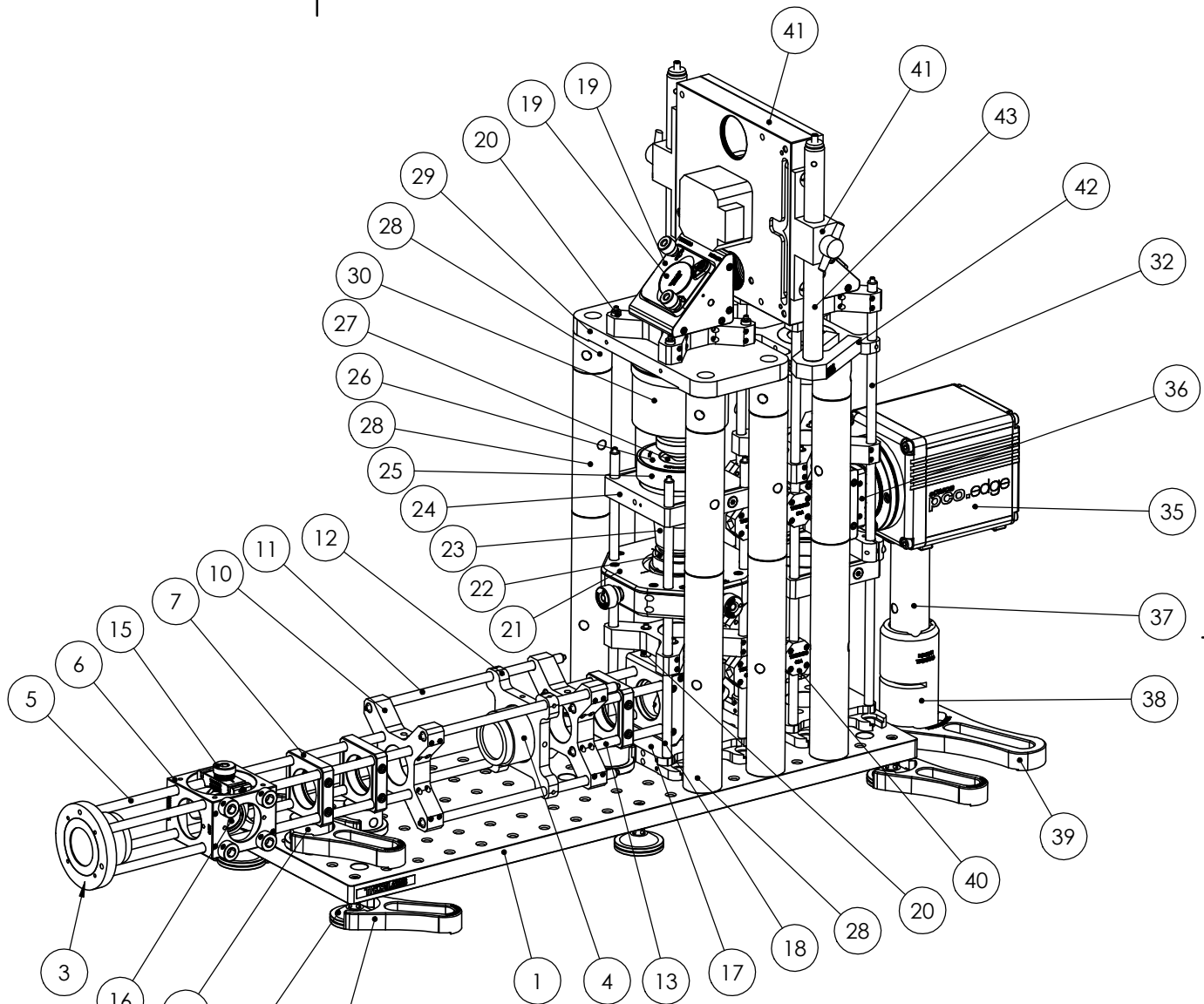
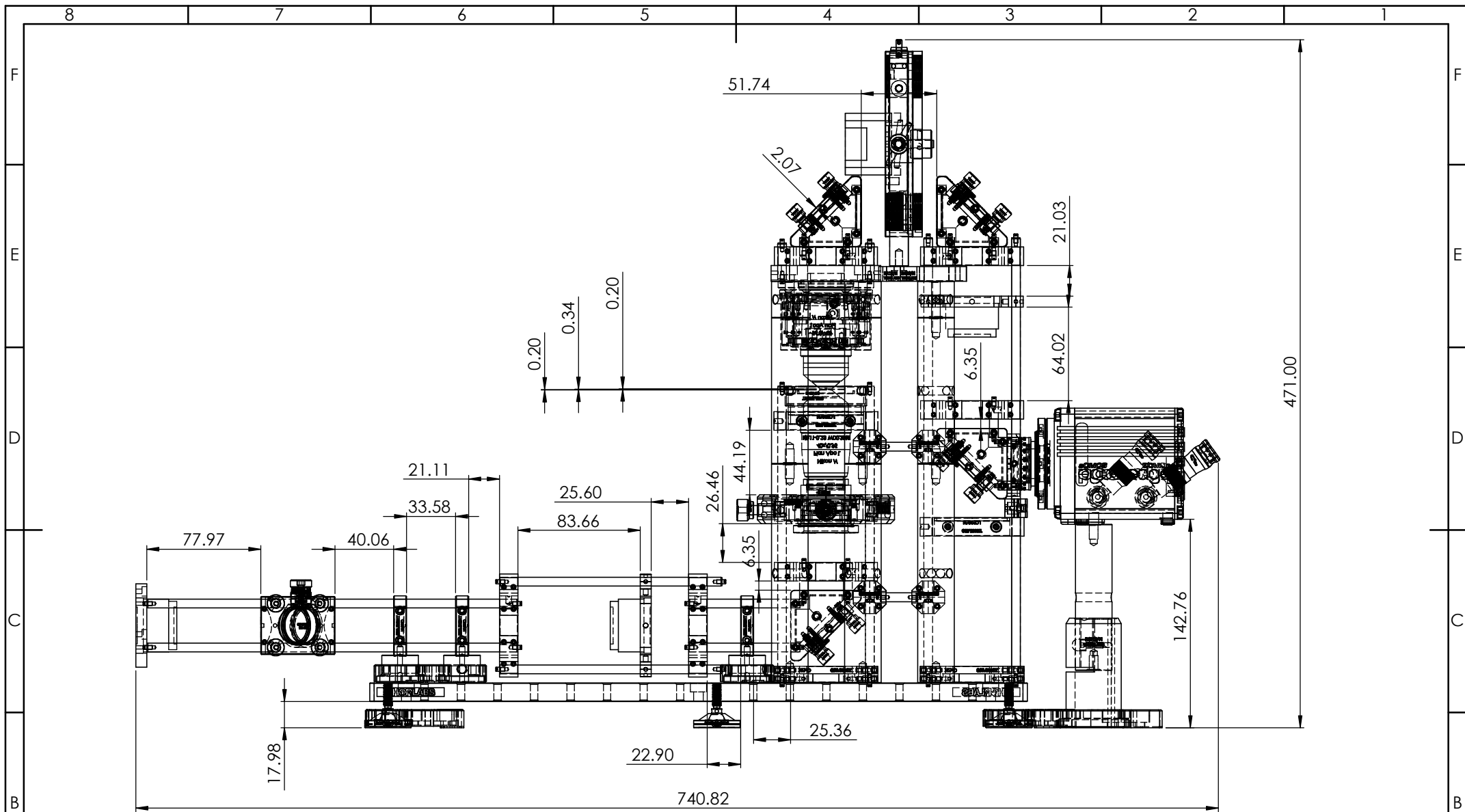


| ITEM NO. | PART NUMBER   | QTY. |
|----------|---|------|
| 1        | MB1545_M-Solidworks                                     | 1    |
| 2        | SWB_M-Solidworks - locking nut removed                  | 6    |
| 3        | DMi8 casting flange adaptor 1.0                         | 1    |
| 4        | Tube lens 200mm EFL - mxa22018                          | 3    |
| 5        | ER10-Solidworks   | 4    |
| 6        | C6W-Solidworks  | 1    |
| 7        | CP08_M-Solidworks                                       | 3    |
| 8        | RS075P4M-Solidworks                                     | 3    |
| 9        | CF125-Solidworks  | 7    |
| 10       | LCP02_M-Solidworks                                      | 6    |
| 11       | ER6-Solidworks  | 4    |
| 12       | Tube lens adaptor M38 x 0.5 for 60mm cage 1.0           | 2    |
| 13       | ER3-Solidworks  | 4    |
| 14       | ERSCA-Solidworks  | 4    |
| 15       | CP360R_M-Solidworks - adjustable                        | 1    |
| 16       | BB1-E02-Solidworks                                      | 1    |
| 17       | CPVM-Solidworks   | 2    |
| 18       | ER8-Solidworks  | 4    |
| 19       | 30mm cage 45deg   | 4    |
| 20       | ER1-Solidworks  | 16   |
| 21       | CXYZ1_M-Solidworks                                      | 1    |
| 22       | SM1A12-Solidworks                                       | 1    |
| 23       | CFI Plan Apo Lambda 40x - 0.95NA, WDO.25-0.17, MRD00405 | 2    |
| 24       | LCP08_M-Solidworks                                      | 2    |
| 25       | SM2V05-Solidworks - rings removed                       | 1    |
| 26       | SM2A6-Solidworks  | 1    |
| 27       | Glass window - 1inch, 340um, AR coated                  | 1    |
| 28       | RS275_M - assembly                                      | 6    |
| 29       | Objective holder plate M25x0.75                         | 1    |
| 30       | PIFOC high load objective scanner                       | 1    |
| 31       | ER05-Solidworks   | 12   |
| 32       | ER12-Solidworks   | 4    |
| 33       | LCP01B-Solidworks                                       | 1    |
| 34       | SM1A39-Solidworks                                       | 1    |
| 35       | PCO_EDGE_CamLink WAT_C-Mount_v101                       | 1    |
| 36       | CRM1_M-Solidworks                                       | 1    |
| 37       | RS100_M-Solidworks                                      | 1    |
| 38       | RSH3_M-Solidworks                                       | 1    |
| 39       | PF175-Solidworks  | 1    |
| 40       | C1A-Solidworks  | 8    |
| 41       | LB10-NWE POST MOUNT - no base or posts                  | 1    |
| 42       | BA1S_M-Solidworks                                       | 2    |
| 43       | TR150_M-Solidworks                                      | 2    |



|  |           |            |           |                                    |   |          |              |
|--|-----------|------------|-----------|------------------------------------|---|----------|--------------|
| UNLESS OTHERWISE SPECIFIED:<br>DIMENSIONS ARE IN MILLIMETERS<br>SURFACE FINISH: N7 = Ra-1.6um<br>TOLERANCES:<br>LINEAR: ±0.1mm<br>ANGULAR: ±0.5° |           |            | FINISH:   | DEBURR AND<br>BREAK SHARP<br>EDGES | DO NOT SCALE DRAWING  | REVISION | A            |
|  |           |            |           |                                    | Calico Life Sciences LLC<br>1170 Veterans Blvd, South San Francisco, CA, 94080<br>+1-650-754-6203<br>www.calicolabs.com |          |              |
|  |           |            |           |                                    | Description:  |          |              |
| NAME   | SIGNATURE | DATE       |           |                                    |   |          |              |
| DRAWN  | A.M.S.    | 17/06/2016 |           |                                    |   |          |              |
| CHK'D  |           |            |           |                                    |   |          |              |
| APPV'D   |           |            |           |                                    |   |          |              |
| MFG  |           |            |           |                                    |   |          |              |
| Q.A  |           |            | MATERIAL: |                                    | File name:  |          |              |
|  |           |            |           |                                    | Remote refocus 1.2  |          | A3           |
|  |           |            | WBGHT:    |                                    | SCALE:1:10  |          | SHEET 1 OF 2 |



|   |        |           |         |                                    |   |              |   |
|---|--------|-----------|---------|------------------------------------|---|--------------|---|
| UNLESS OTHERWISE SPECIFIED:<br>DIMENSIONS ARE IN MILLIMETERS<br>SURFACE FINISH: N7 = Ra-1.6um-<br>TOLERANCES:<br>LINEAR: ±0.1mm<br>ANGULAR: ±0.5° |        |           | FINISH: | DEBURR AND<br>BREAK SHARP<br>EDGES | DO NOT SCALE DRAWING  | REVISION     | A |
|   |        |           |         |                                    | Calico Life Sciences LLC<br>1170 Veterans Blvd, South San Francisco, CA, 94080<br>+1-650-754-6203<br>www.calicolabs.com |              |   |
|   |        |           |         |                                    | Description:  |              |   |
| DRAWN   | A.M.S. | SIGNATURE | DATE    | 17/06/2016                         |   |              |   |
| CHK'D   |        |           |         |                                    |   |              |   |
| APPV'D  |        |           |         |                                    |   |              |   |
| MFG   |        |           |         |                                    |   |              |   |
| Q.A   |        |           |         | MATERIAL:                          | File name: Remote refocus 1.2   |              |   |
|   |        |           |         |                                    | SCALE:1:10  | SHEET 2 OF 2 |   |
|   |        |           |         |                                    | A3  |              |   |